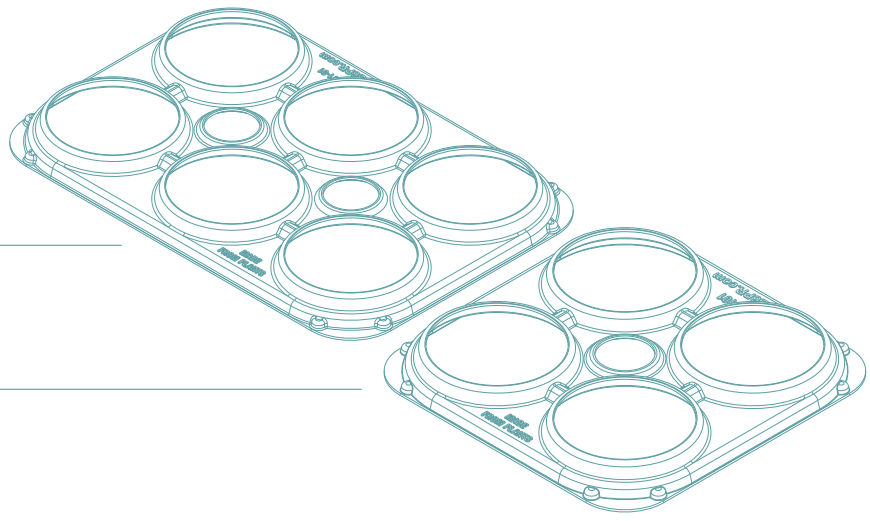
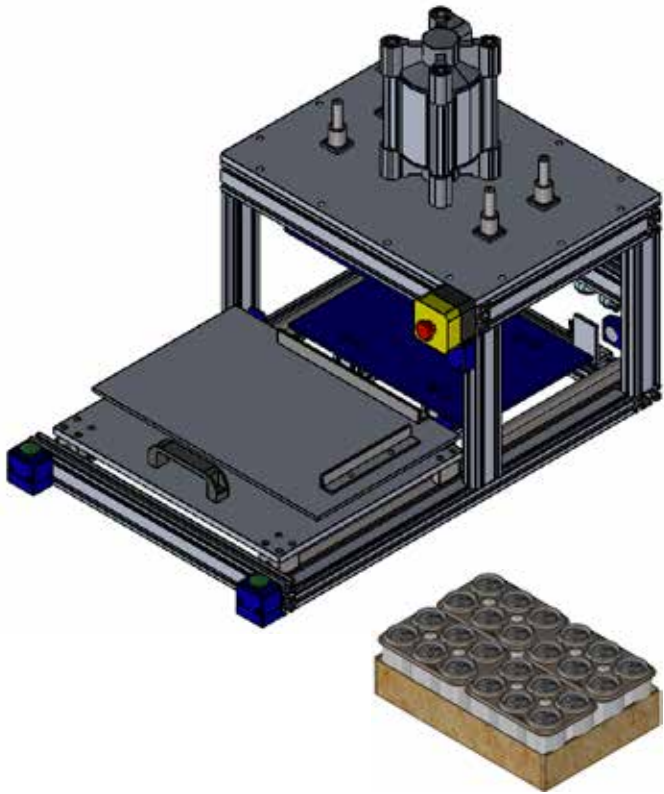


Spec sheet - **Case Applicator**

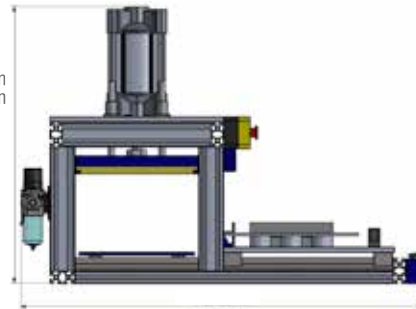


Product description:

Case semi - automatic applicator.
Runs at up to 96 cans per minute.

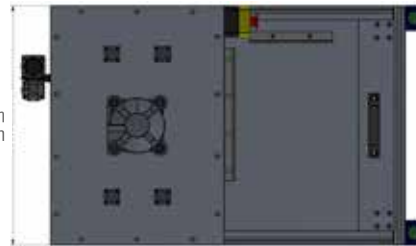


670 mm
29.3 in



975 mm
38.4 in

580 mm
22.8 in



6 Packs

4 Packs



Designed for 12oz and 16 oz standard can with 202 end.



12oz

16oz

52 mm lid diameter
66 mm body diameter
122 - 129 mm can height

52 mm lid diameter
66 mm body diameter
168 mm can height

Pneumatic work pressure:

- 90 Psi at 4 pack
- 70 Psi at 6 pack

Electrical connection

Voltage: 127 V
Ground required

Product characteristics:

Runs at up to 96 cans per minute.
Compatible with 4 & 6 Packs (Changing the pad).
The speed and output of the machine will depend on the specific conditions on the facilities of the customer.

Packaging characteristics:

Pieces per case: 1
Case weight: pending
Case size: pending

